

SMD TYPE CERAMIC (SMD 6 x 3.5)



Application of SMD crystal:

- Blue tooth
- PDA
- Notebook
- Digital camera
- MP3
- Wireless Lan

{Features}

1.1mm thickness is equal to SMD-type IC
 Excellent reliability and environment capability
 High-density mounting-type SMD
 Excellent vibration resistance & shock resistance



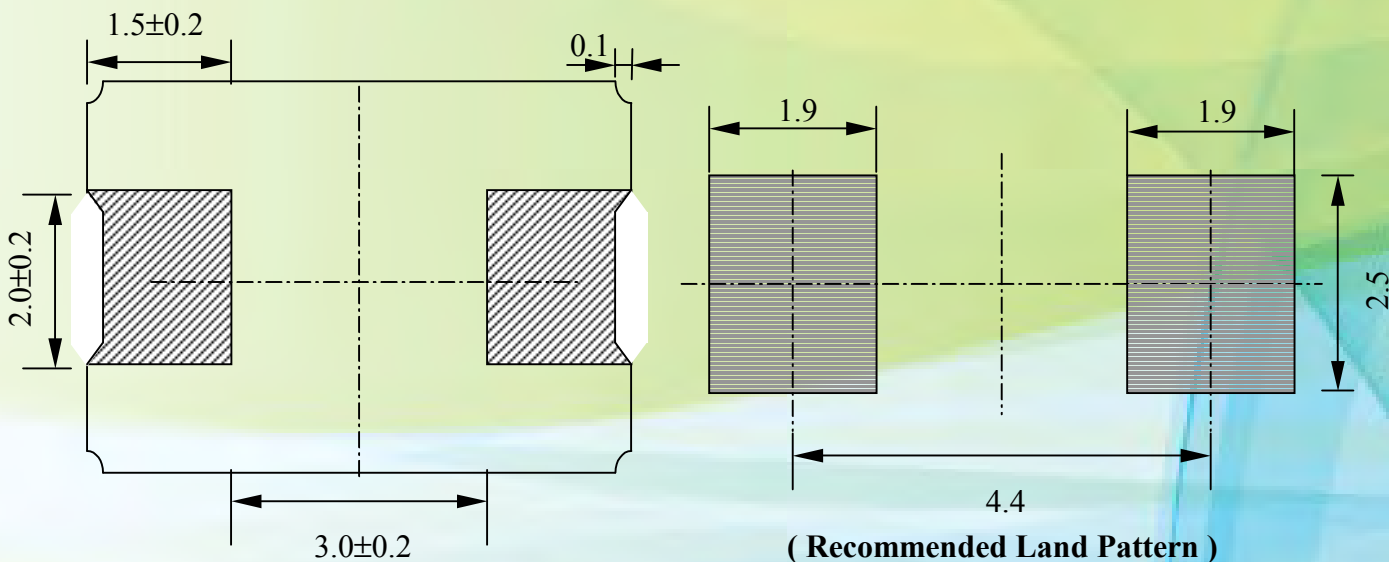
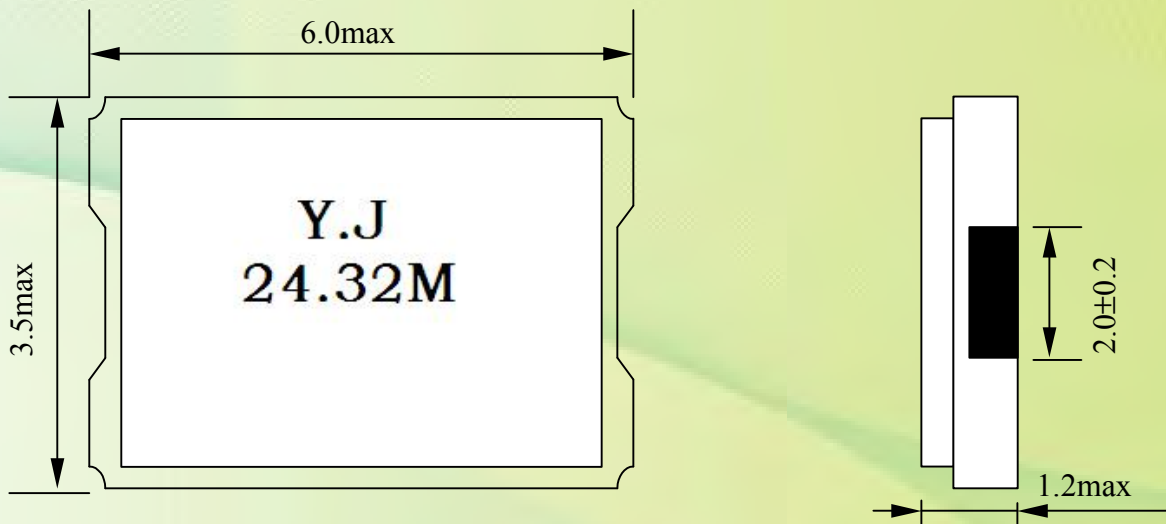
Electrical Specification:

Model	YJ-6035
1.Frequency	
Frequency Range	13.0 ~ 125.000 MHZ
Frequency Tolerance at 25 °C ±2 °C	±10 ~ ±100 ppm (TYP.)
Fr Range	±10 ~ ±100 ppm (TYP.)
2.Environmental Condition	
Operating Temp Range	-10 °C ~ +60 °C, -20 °C ~ +70 °C or customer requirement
Storage Temp Range	-40 °C ~ +85 °C
Aging Rate	±1ppm , ±2ppm , ±3ppm/year
3.Electrical Specifications	
Test Circuit	S&A 250B
Load Capacitance	6 pF ~ 32 pF, series or special
Drive Level	1uw ~ 100uw or special
Shunt Capacitance	7.0pF max

Equivalent Series Resistance(ESR) VS Frequency:

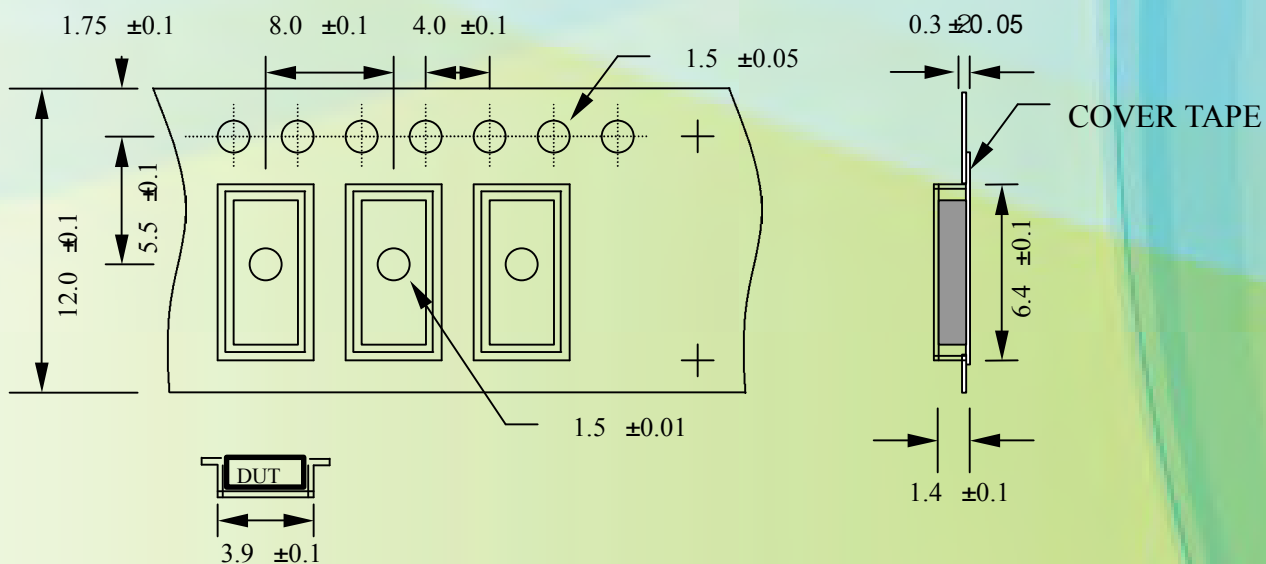
Frequency (MHz)	Oscillation Mode	YJ-6035
13.0 ~ 25.0	Fundamental	60
25.1 ~ 52.0	Fundamental	50
45.1 ~ 80.0	3rd overtone	80
80.1 ~ 125.0	3rd overtone	60

Dimensions: (mm)



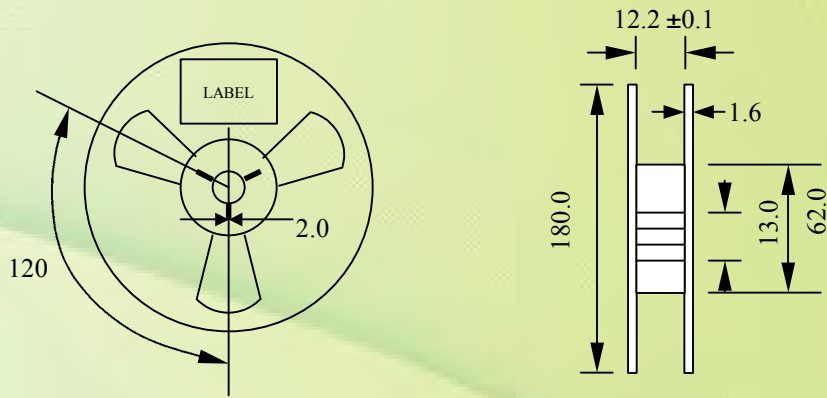
(Recommended Land Pattern)

Tape specification: (mm)



* Above specification subject to change without prior notice, please consult our sales representative for more information
 SHENZHEN YIJIN ELECTRONICS CO;LTD TEL:0755-27876565 QQ:857950243 <http://www.yijindz.com>

Reel packing: (mm)



Reflow Temperature profile:

